

30

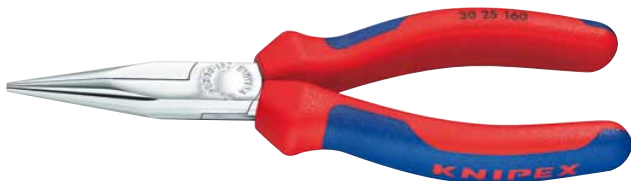
## Long Nose Pliers

ISO 5745

- heavy duty gripping pliers
- different jaw styles for a wide range of applications
- Chrome vanadium electric steel; forged, oil-hardened



30 11 190



30 21 160



30 36 160



### Style 1

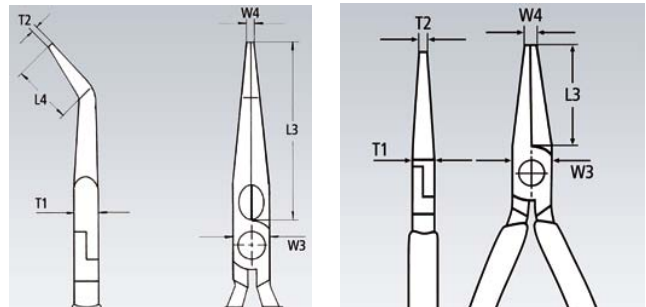
long, trapezoidal jaws; serrated gripping surfaces

### Style 2

long, half-round jaws; serrated gripping surfaces

### Style 3

long, round jaws; smooth gripping surfaces



Product Number	↔ inch	↔ mm	Style	Pliers	Head	Handles	Dimensions										⚖ Ounces	
							L3 inch	W3 inch	T1 inch	W4 inch	T2 inch	L3 mm	W3 mm	T1 mm	W4 mm	T2 mm		
30 11 190	7 1/2	190		1	black atramentized	polished	plastic coated	1 3/32	47/64	3/8	1/8	9/32	50.0	18.5	9.5	3.0	7.0	4.9
30 16 160	6 1/4	160		1	chrome plated		insulated with multi-component grips, VDE-tested	1 3/32	21/32	3/8	1/8	3/32	50.0	16.5	9.5	3.0	2.5	5.3
30 21 160	6 1/4	160		2	black atramentized	polished	plastic coated	1 3/32	21/32	3/8	1/8	3/32	50.0	16.5	9.5	3.0	2.5	4.3
30 31 140	5 1/2	140		3	black atramentized	polished	plastic coated	1 31/64	19/32	5/16	5/32	5/64	37.5	15.0	8.0	4.0	2.0	2.9
30 31 160	6 1/4	160		3	black atramentized	polished	plastic coated	1 19/32	21/32	3/8	13/64	3/32	41.0	16.5	9.5	5.0	2.5	3.9
30 36 160	6 1/4	160		3	chrome plated		insulated with multi-component grips, VDE-tested	1 19/32	21/32	3/8	13/64	3/32	41.0	16.5	9.5	5.0	2.5	5.0

## GRIPPING PLIERS

32

### Relay Adjusting Pliers

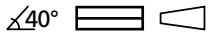
ISO 5235



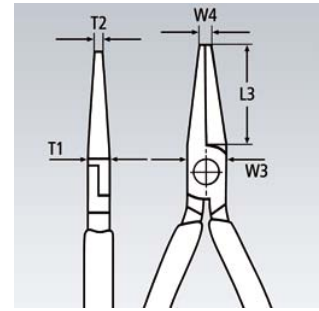
32 21 135



32 31 135



- for gripping small wires and bending contact and relay springs
- polished gripping surfaces
- smooth edges
- Chrome vanadium electric steel; forged, oil-hardened

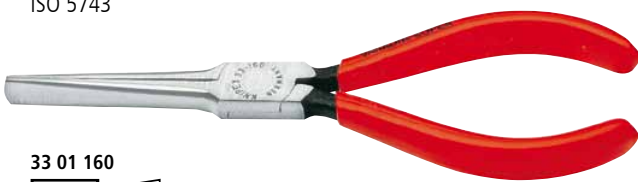


Product Number	↔ inch	↔ mm		Pliers	Head	Handles	Dimensions										Ounces
							L3 inch	W3 inch	T1 inch	W4 inch	T2 inch	L3 mm	W3 mm	T1 mm	W4 mm	T2 mm	
32 21 135	5 1/4	135		black atramentized	polished	plastic coated	1 11/32	1/2	9/32	1/16	9/64	34.0	12.5	7.0	1.4	3.5	2.6
32 31 135	5 1/4	135		black atramentized	polished	plastic coated	1 17/64	1/2	9/32	1/16	9/64	32.0	12.5	7.0	1.4	3.5	2.6

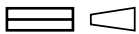
33

### Duckbill Pliers

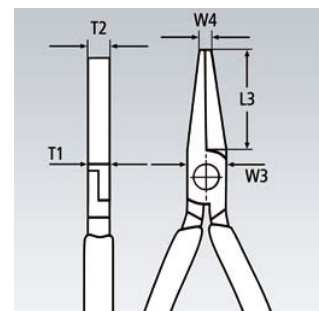
ISO 5743



33 01 160



- duckbill shaped jaws 23/64" wide at the tip and tapering to 1/16" thickness
- smooth gripping surfaces
- Chrome vanadium electric steel; forged, oil-hardened


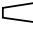





Product Number	↔ inch	↔ mm		Pliers	Head	Handles	Dimensions										Ounces
							L3 inch	W3 inch	T1 inch	W4 inch	T2 inch	L3 mm	W3 mm	T1 mm	W4 mm	T2 mm	
33 01 160	6 1/4	160		black atramentized	polished	plastic coated	2 11/64	19/32	19/64	1/8	23/64	55.0	15.0	7.5	3.0	9.0	3.6
33 03 160	6 1/4	160		chrome plated		plastic coated	2 11/64	19/32	19/64	1/8	23/64	55.0	15.0	7.5	3.0	9.0	3.6

**34 Precision Electronics Gripping Pliers**

ISO 9655


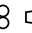





34 12 130  
    



34 22 130  
    



34 32 130  
    

**The subtle difference**

KNIPEX precision electronics pliers are made of high-quality ball bearing steel and processed with the highest degree of care. Each movement is gentle and even and there is no backlash. Each work step proceeds reliably and precisely. This makes work much easier for professionals.

- for very precise assembly work, e.g. in electronics and fine mechanics
- for gripping, holding and bending
- smooth gripping surfaces; smooth edges
- approx. 20% lighter than conventional electronics pliers
- bolted joint and carefully manufactured joint surfaces for even, low-friction movement throughout the entire opening range
- double spring for a gentle and even opening
- ergonomically optimized handle covers
- Chrome vanadium ball-bearing steel; forged

**Style 1**

flat, wide jaws

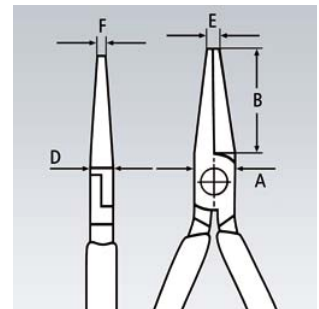
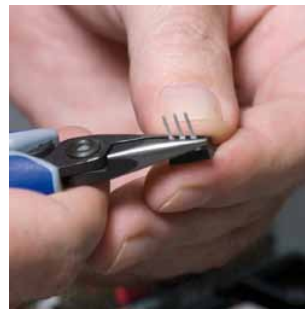
**Style 2**

half-round jaws

**Style 3**

round, pointed jaws

**Pliers Sets**  
see page 182



Product Number	↔ inch	Style	Pliers	Head	Handles	Dimensions					⚖ Ounces
						B inch	A inch	D inch	E inch	F inch	
34 12 130	5 1/4	1	burnished	polished	with multi-component grips	55/64	7/16	17/64	1/16	9/64	2.2
34 22 130	5 1/4	2	burnished	polished	with multi-component grips	57/64	7/16	17/64	1/16	1/16	2.2
34 32 130	5 1/4	3	burnished	polished	with multi-component grips	15/16	7/16	17/64	5/64	3/64	2.1

Product Number	↔ mm	Style	Pliers	Head	Handles	Dimensions					⚖ Ounces
						B mm	A mm	D mm	E mm	F mm	
34 12 130	135	1	burnished	polished	with multi-component grips	21.9	11.2	6.5	1.4	3.5	2.2
34 22 130	135	2	burnished	polished	with multi-component grips	22.7	11.2	6.5	1.6	1.6	2.2
34 32 130	135	3	burnished	polished	with multi-component grips	23.7	11.2	6.5	2.0	1.0	2.1

**Precision Electronics Gripping Pliers ESD**

ISO 9655



**ESD pliers (electrostatic discharge)**

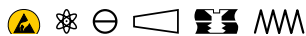
- electrostatic energy is discharged through the handles in a gradual and controlled manner
- protects components endangered by electrostatic discharge
- in accordance with applicable standards, e.g. IEC TR 61 340-5, DIN EN 61 340-5, SP Method 2472



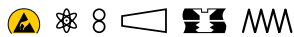
34 12 130 ESD



34 22 130 ESD



34 32 130 ESD

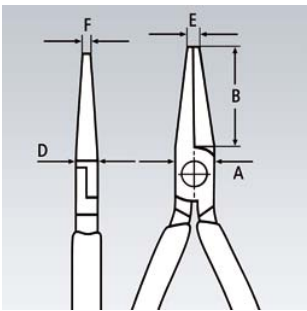


- for very precise assembly work, e.g. in electronics and fine mechanics
- for gripping, holding and bending
- electrically discharging handles – dissipative
- smooth gripping surfaces; smooth edges
- approx. 20% lighter than conventional electronics pliers
- bolted joint and carefully manufactured joint surfaces for even, low-friction movement throughout the entire opening range
- double spring for a gentle and even opening
- ergonomically optimized handle covers
- Chrome vanadium ball-bearing steel; forged

**Style 1**  
flat, wide jaws

**Style 2**  
half-round jaws

**Style 3**  
round, pointed jaws



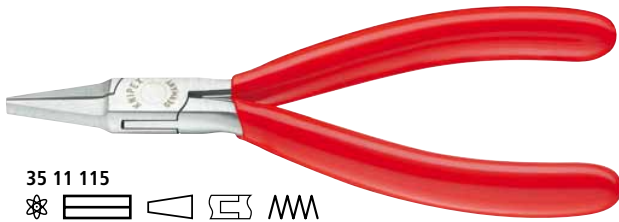
**Pliers Sets**  
see page 182

Product Number	↔ inch	ESD	Grip	Jaw	Style	Pliers	Head	Handles	Dimensions					Ounces
									B inch	A inch	D inch	E inch	F inch	
34 12 130 ESD	5 1/4	⚡	☒	▭	1	burnished	polished	with multi-component grips	55/64	7/16	17/64	1/16	3/32	2.2
34 22 130 ESD	5 1/4	⚡	☒	⊖	2	burnished	polished	with multi-component grips	57/64	7/16	17/64	1/16	1/16	2.3
34 32 130 ESD	5 1/4	⚡	☒	8	3	burnished	polished	with multi-component grips	15/16	7/16	17/64	5/64	3/64	2.2

Product Number	↔ mm	ESD	Grip	Jaw	Style	Pliers	Head	Handles	Dimensions					Ounces
									B mm	A mm	D mm	E mm	F mm	
34 12 130 ESD	135	⚡	☒	▭	1	burnished	polished	with multi-component grips	21.9	11.2	6.5	1.4	3.5	2.2
34 22 130 ESD	135	⚡	☒	⊖	2	burnished	polished	with multi-component grips	22.7	11.2	6.5	1.6	1.6	2.3
34 32 130 ESD	135	⚡	☒	8	3	burnished	polished	with multi-component grips	23.7	11.2	6.5	2.0	1.0	2.2

**35 Electronics Pliers**

ISO 9655



35 11 115  
 ✱



35 22 115  
 ✱



35 32 115  
 ✱ 8



35 42 115  
 ✱  $\angle 45^\circ$



35 52 145  
 ✱



35 62 145  
 ✱

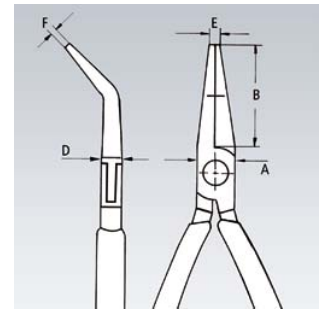
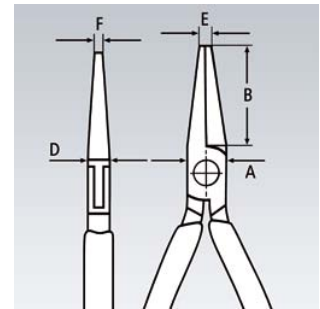


35 72 145  
 ✱ 8



35 82 145  
 ✱  $\angle 45^\circ$

Pliers Sets  
 see page 182



- precision pliers for ultra fine assembly work, e.g. in electronics and fine mechanics
- for gripping, holding and bending
- precision box joint
- smooth gripping surfaces
- smooth edges
- low-friction double spring for gentle and even opening
- the polish with a fine film of oil offers effective rust protection – no circuit faults caused by peeling chrome from plated tools
- Special tool steel; forged, oil-hardened

Product Number	↔ inch	↔ mm	Head	Handles	Dimensions						Ounces					
					B inch	A inch	D inch	E inch	F inch	B mm		A mm	D mm	E mm	F mm	
35 11 115	4 1/2	115		polished	plastic coated	57/64	3/8	17/64	5/64	5/32	22.5	9.5	6.5	2.0	4.0	2.2
35 12 115	4 1/2	115		mirror polished	with multi-component grips	57/64	3/8	17/64	5/64	5/32	22.5	9.5	6.5	2.0	4.0	2.5
35 21 115	4 1/2	115		polished	plastic coated	57/64	3/8	17/64	5/64	1/16	22.5	9.5	6.5	2.0	1.5	2.1
35 22 115	4 1/2	115		mirror polished	with multi-component grips	57/64	3/8	17/64	5/64	1/16	22.5	9.5	6.5	2.0	1.5	2.6
35 31 115	4 1/2	115		polished	plastic coated	57/64	3/8	17/64	5/64	3/64	22.5	9.5	6.5	2.0	1.0	2.0
35 32 115	4 1/2	115		mirror polished	with multi-component grips	57/64	3/8	17/64	5/64	3/64	22.5	9.5	6.5	2.0	1.0	2.5
35 42 115	4 1/2	115		mirror polished	with multi-component grips	57/64	3/8	17/64	5/64	1/16	22.5	9.5	6.5	2.0	1.5	2.6
35 52 145	5 3/4	145		mirror polished	with multi-component grips	1 37/64	15/32	19/64	1/16	5/32	40.0	12.0	7.5	1.5	4.0	3.6
35 62 145	5 3/4	145		mirror polished	with multi-component grips	1 37/64	15/32	19/64	3/32	1/16	40.0	12.0	7.5	2.5	1.5	3.6
35 72 145	5 3/4	145		mirror polished	with multi-component grips	1 37/64	15/32	19/64	3/32	3/64	40.0	12.0	7.5	2.5	1.3	3.5
35 82 145	5 3/4	145		mirror polished	with multi-component grips	1 3/8	15/32	19/64	3/32	3/64	35.0	12.0	7.5	2.5	1.0	3.6

Electronics Pliers ESD

ISO 9655



**ESD pliers (electrostatic discharge)**

- electrostatic energy is discharged through the handles in a gradual and controlled manner
- protects components endangered by electrostatic discharge
- in accordance with applicable standards, e.g. IEC TR 61 340-5, DIN EN 61 340-5, SP Method 2472



35 12 115 ESD



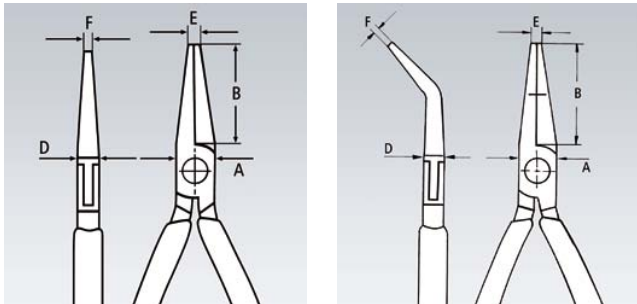
35 22 115 ESD



35 42 115 ESD  
 $\angle 45^\circ$

- precision pliers for ultra fine assembly work, e.g. in electronics and fine mechanics
- for gripping, holding and bending
- electrically discharging handles – dissipative
- precision box joint
- smooth gripping surfaces
- smooth edges
- low-friction double spring for gentle and even opening
- the mirror polish together with a fine film of oil offers effective rust protection – no circuit faults caused by peeling chrome from plated tools
- with two-color dual component handles, black/grey
- Special tool steel; forged, oil-hardened

Pliers Sets  
see page 182



Product Number	↔ inch	↔ mm	Head	Handles	Dimensions										Ounces	
					B inch	A inch	D inch	E inch	F inch	B mm	A mm	D mm	E mm	F mm		
35 12 115 ESD	4 1/2	115		mirror polished	with multi-component grips	57/64	3/8	17/64	5/64	5/32	22.5	9.5	6.5	2.0	4.0	2.6
35 22 115 ESD	4 1/2	115		mirror polished	with multi-component grips	57/64	3/8	17/64	5/64	1/16	22.5	9.5	6.5	2.0	1.5	2.6
35 42 115 ESD	4 1/2	115		mirror polished	with multi-component grips	57/64	3/8	17/64	5/64	1/16	22.5	9.5	6.5	2.0	1.5	2.6

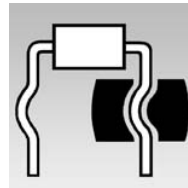


**36** Electronics Mounting Pliers

ISO 5743



**36 12 130**

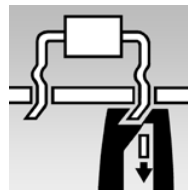


**36 12 130**  
 to bend wire in shape for the distance to the plate

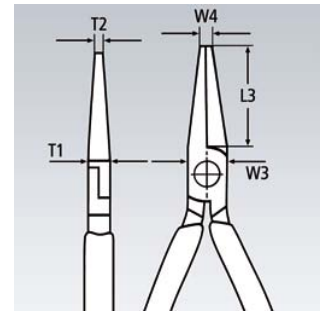
- precision pliers for very fine assembly and repair work in electronics
- for bending and cutting off wire ends on components
- precision box joint
- smooth gripping surfaces
- smooth edges
- low-friction double spring for gentle and even opening
- the mirror polish together with a fine film of oil offers effective rust protection – no circuit faults caused by peeling chrome from plated tools
- High-grade special tool steel; forged, oil-hardened



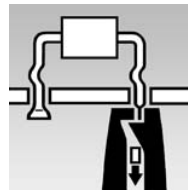
**36 22 125**



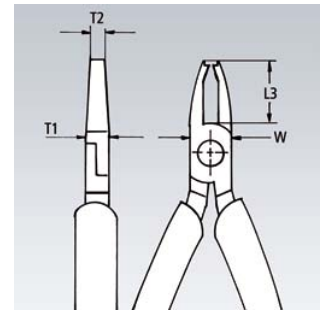
**36 22 125**  
 to bend and cut wire at 1/16" length below the plate



**36 32 125**



**36 32 125**  
 to crunch and cut wire at 1/16" length below the plate



Product Number	↔ inch		Head	Handles	Cutting capacities Ø inch	Dimensions					Ounces
						L3 inch	W inch	T1 inch	W1 inch	T2 inch	
36 12 130	5 1/4		mirror polished	with multi-component grips		29/32	15/32	3/8	7/32	15/64	3.3
36 22 125	5		mirror polished	with multi-component grips	3/64	23/32	29/64	19/64	19/64	3/32	3.3
36 32 125	5		mirror polished	with multi-component grips	3/64	23/32	29/64	19/64	19/64	5/32	3.8

Product Number	↔ mm		Head	Handles	Cutting capacities Ø mm	Dimensions					Ounces
						L3 mm	W mm	T1 mm	W1 mm	T2 mm	
36 12 130	130		mirror polished	with multi-component grips		23.0	12.0	9.5	5.5	6.0	3.3
36 22 125	125		mirror polished	with multi-component grips	1.2	18.0	11.5	7.5	7.5	2.6	3.3
36 32 125	125		mirror polished	with multi-component grips	1.0	18.0	11.5	7.5	7.5	4.0	3.8

# GRIPPING PLIERS

37

## Gripping Pliers for precision mechanics

ISO 9655



37 11 125



37 21 125



37 31 125



37 43 125



- precision pliers for ultra fine assembly work, e.g. in electronics and fine mechanics
- for gripping, holding, bending and adjusting
- precision tips
- smooth gripping surfaces
- smooth edges
- lap joint
- Chrome vanadium electric steel; forged, oil-hardened

### Style 1

flat, wide jaws

### Style 2

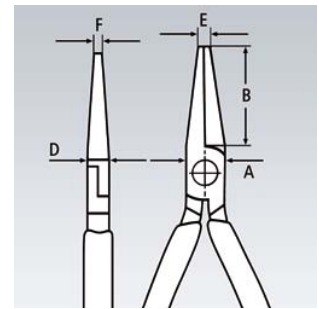
flat, concave and pointed jaws

### Style 3

half-round jaws

### Style 4

round, pointed jaws to bend wire loops



Product Number	↔ inch	Icon	Style	Pliers	Head	Handles	Dimensions					Ounces
							B inch	A inch	D inch	E inch	F inch	
37 11 125	5	Icon 1	1	black atramentized	polished	plastic coated	1 1/16	31/64	9/32	5/64	7/32	2.7
37 21 125	5	Icon 2	2	black atramentized	polished	plastic coated	1 1/16	31/64	9/32	5/64	5/64	2.6
37 31 125	5	Icon 3	3	black atramentized	polished	plastic coated	1 1/16	31/64	9/32	5/64	1/16	2.6
37 43 125	5	Icon 4	4	chrome plated		plastic coated	1 1/16	37/64	5/16	5/64	3/64	2.7

Product Number	↔ mm	Icon	Style	Pliers	Head	Handles	Dimensions					Ounces
							B mm	A mm	D mm	E mm	F mm	
37 11 125	125	Icon 1	1	black atramentized	polished	plastic coated	27.0	12.5	7.0	2.0	5.5	2.7
37 21 125	125	Icon 2	2	black atramentized	polished	plastic coated	27.0	12.5	7.0	2.0	2.0	2.6
37 31 125	125	Icon 3	3	black atramentized	polished	plastic coated	27.0	12.5	7.0	2.0	1.6	2.6
37 43 125	125	Icon 4	4	chrome plated		plastic coated	27.0	14.5	8.0	2.0	1.0	2.7



38

Mechanics' Pliers

ISO 5745

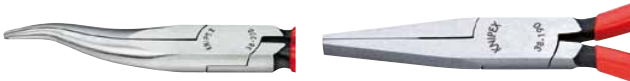
- high-strength jaws and tips bend and snap back into place easily – no deformation
- cross-hatched gripping surfaces, knurled
- Vanadium electric steel; forged, oil-hardened



38 11 200



38 21 200  
 $\angle 40^\circ$



38 31 200



38 41 190



38 71 200  
 $\angle 70^\circ$



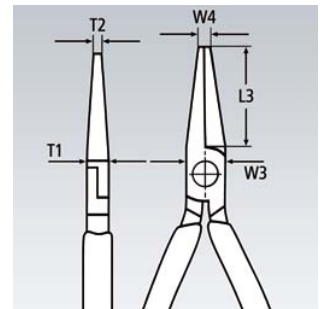
38 91 200  
 $\angle 45^\circ$

Style 7

70° angled, half-round jaws, suitable for pulling split pins; for gripping at points that are difficult to access

Style 9

45° angled, half-round, long jaws, also suitable for gripping spark plug covers and round components



Product Number	↔ inch	↔ mm	Style	Pliers	Head	Handles	Dimensions										Ounces	
							L3 inch	W3 inch	T1 inch	W4 inch	T2 inch	L3 mm	W3 mm	T1 mm	W4 mm	T2 mm		
38 11 200	8	200		1	black atramentized	polished	plastic coated	2 7/8	11/16	3/8	1/8	3/32	73.0	17.5	9.5	3.0	2.5	6.3
38 21 200	8	200	$\angle 40^\circ$	2	black atramentized	polished	plastic coated	2 7/8	11/16	3/8	1/8	3/32	73.0	17.5	9.5	3.0	2.5	6.2
38 31 200	8	200		3	black atramentized	polished	plastic coated	2 7/8	11/16	3/8	1/8	3/32	73.0	17.5	9.5	3.0	2.5	6.2
38 35 200	8	200		3	chrome plated		with multi-component grips	2 7/8	11/16	3/8	1/8	3/32	73.0	17.5	9.5	3.0	2.5	7.2
38 41 190	7 1/2	190		4	black atramentized	polished	plastic coated	1 31/32	23/32	5/16	5/64	5/16	50.0	18.0	8.0	2.0	8.0	4.9
38 71 200	8	200	$\angle 70^\circ$	7	black atramentized	polished	plastic coated	2 7/8	11/16	3/8	1/8	5/64	73.0	17.5	9.5	3.0	2.0	6.1
38 91 200	8	200	$\angle 45^\circ$	9	black atramentized	polished	plastic coated	2 7/8	11/16	3/8		3/32	73.0	17.5	9.5		2.5	6.0